


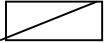

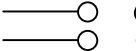
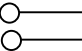

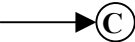





TYPE OF USE
Project: ELECTRICAL INSTALLATION

LOCATION PLAN

ELECTRICAL LAYOUT

LEGEND:

- FLOURESCENT LAMP 
- INCANDESCENT LAMP 
- CONVENIENCE OUTLET 
- PANEL BOARD 
- KW/HR METER 
- CIRCUIT BREAKER 
- FUSE 
- SWITCH HOMERUN 
- CIRCUIT HOMERUN 
- ONE-GANG SWITCH 
- TWO-GANG SWITCH 
- SERVICE ENTRANCE 

SINGLE LINE DIAGRAM

SCHEDULE OF LOADS							
CIRCUIT NO.	DESCRIPTION	NO. OF FIGURES	POWER	VOLTAGE	CURRENT	SIZE OF CONDUCTOR	PROTECTIVE DEVICE

Name of Consumer: _____

Address: _____

Location of Installation: _____

Certified by: _____

PRC No. _____

PTR No. _____

Date Issued _____

Place Issued _____

Building Inspector:

Electrical Inspector:

Fire Safety:

JOJIE S. GONZALES, CE
Engineer 1 (Civil)
Regulation Enforcement Division

ARVIN F. CRISME, REE
Engineer 1 (Electrical)
Regulation Enforcement Division

JESUS J. CASPE
SFO1 BFP
Acting City Fire Marshal